

SERVICE MANUAL

STEREO GRAPHIC EQUALIZER SANSUI SE-300



CAUTION

1. Parts identified by the \triangle symbol on the schematic diagram and the parts list are critical for safety. Use only replacement parts that have critical characteristics recommended by the manufacturer.
2. Make leakage-current or resistance measurements to determine that exposed parts are acceptably insulated from the supply circuit before returning the appliance to the customer.

SPECIFICATIONS

Input sensitivity and impedance (1 kHz)
SOURCE IN, TAPE PLAY

..... 150 mV/47 kilohms

Output level and impedance (1 kHz)

TAPE REC. 150 mV/1 kilohms

PRE OUT 150 mV/1 kilohms

(Maximum output level: 5V/47 kilohms at
0.5% total harmonic distortion)

Total harmonic distortion (1V, 1 kHz)

SOURCE IN, TAPE PLAY

..... 0.03%

Frequency response (at rated output, Equalizer
controls: "0" position)

SOURCE IN, TAPE PLAY

..... 20 Hz to 20 kHz,

+0 dB, -2 dB

Signal to noise ratio (Short-circuit, A-network)

SOURCE IN, TAPE PLAY

..... 75 dB

Equalizer frequency . . . 60 Hz, 150 Hz, 400 Hz,

1 kHz, 2.4 kHz, 6 kHz,

15 kHz

Level variation range . . \pm 12 dB

Others

Power voltage 110V-120V/220V-240V
(50/60 Hz)

For U.S.A. and Canada

..... 120 V (60 Hz)

Power consumption . . . 5 watts

Dimensions 430 mm (16-15/16") (W)

78 mm (3-3/4") (H)

210 mm (8-7/8") (D)

Weight. 2.2 kg (4.9 lbs) net

2.8 kg (6.3 lbs) packed

* Design and specifications subject to change
without notice for improvements.



SANSUI ELECTRIC CO., LTD.

CAUTION

1. The symbols, UL, CSA, SA, BS, UK, EU, AS and XX on the parts list and the schematic diagram mean followings respectively.
 - UL. Manufactured for U.S.A. market.
(Underwriters Laboratories approved model.)
 - CSA. Manufactured for Canadian market.
 - SA. Manufactured for South African market.
 - BS, UK Manufactured for United Kingdom market.
 - EU. Manufactured for European market.
 - AS. Manufactured for Australian market.
 - XX Standard Version.
 - NON MARK. . . Common Parts.

2. Some printed circuit boards are not supplied as the assembled. To separate these in this service manual, the stock No's are not indicated at the ends of the board names. However, the individual parts on the circuit boards are provided by orders.

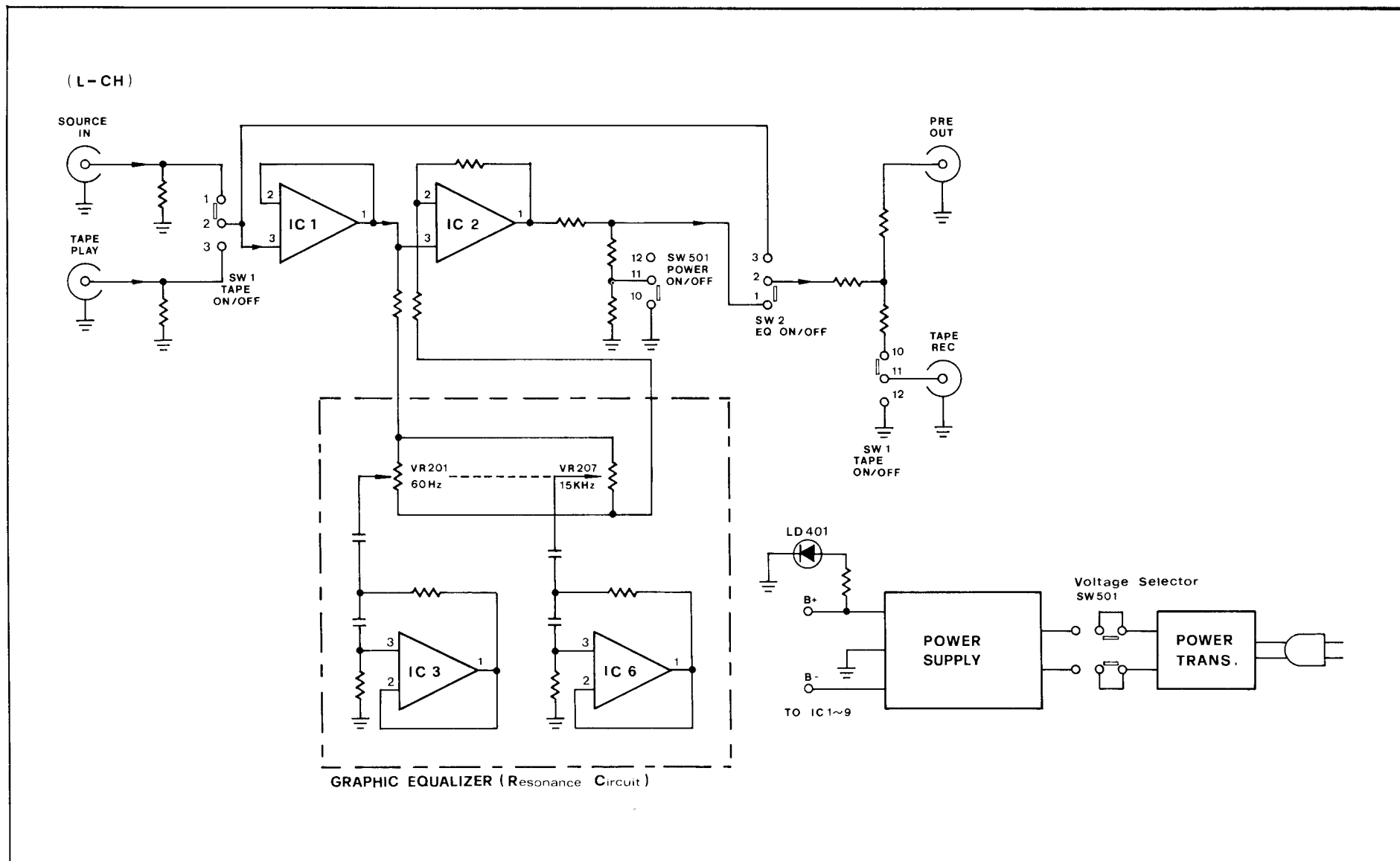
3. Since some of capacitors and resistors are omitted from parts lists in this service manual, refer to the Common Parts List for capacitors & resistors, which was issued on February 1983.

4. Abbreviations in this service manual are as follows.

• Abbreviations List

C.R. : Carbon Resistor	E.B.L. : Low Leak Bi-Polar Electrolytic Capacitor
S.R. : Solid Resistor	Ta.C. : Tantalum Capacitor
Ce.R. : Cement Resistor	F.C. : Film Capacitor
M.R. : Metal Film Resistor	M.P. : Metalized Paper Capacitor
F.R. : Fusing Resistor	P.C. : Polystyrene Capacitor
N.I.R. : Non-Inflammable Resistor	G.C. : Gimmic Capacitor
A.R. : Array Resistor	A.C. : Array Capacitor
C.C. : Ceramic Capacitor	V.R. : Variable Resistor
C.T. : Ceramic Capacitor, Temperature Compensation	S.V.R. : Semi Variable Resistor
E.C. : Electrolytic Capacitor	SW. : Switch
E.L. : Low Leak Electrolytic Capacitor	Chip R. : Chip Resistor
E.B. : Bi-Polar Electrolytic Capacitor	Chip C. : Chip Capacitor

1. BLOCK DIAGRAM

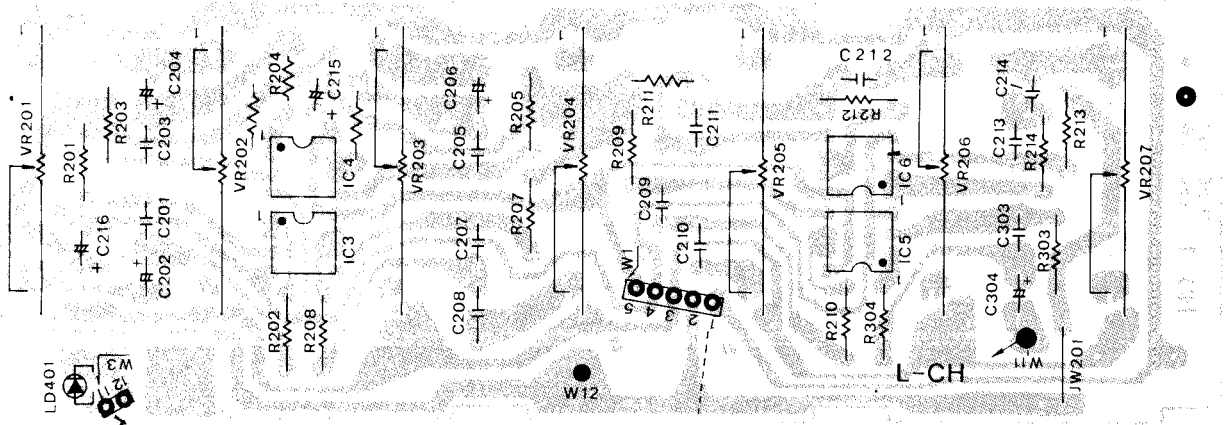


2. PARTS LOCATION & PARTS LIST

2-1.

MEP 1242 EQUALIZER (L) VOLUME BOARD (Stock No. 58041501)

Component Side

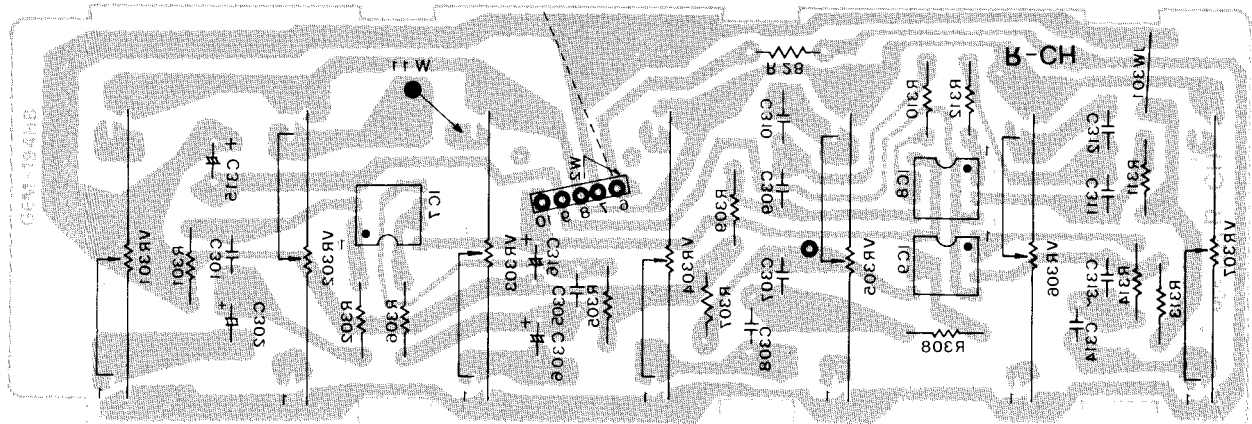


Parts No.	Stock No.	Description
IC 3	58040900	LA6458D
	or 46580100	or M5218P
IC 4	58040900	LA6458D
	or 46580100	or M5218P
IC 5	58040900	LA6458D
	or 46580100	or M5218P
IC 6	58040900	LA6458D
	or 46580100	or M5218P
LD 401	46603700	LED 1 x 5 RED
VR 201	58041400	20K Ω (B) 60Hz
VR 202	58041400	20K Ω (B) 150Hz
VR 203	58041400	20K Ω (B) 400Hz
VR 204	58041400	20K Ω (B) 1KHz
VR 205	58041400	20K Ω (B) 2.4KHz
VR 206	58041400	20K Ω (B) 6.3KHz
VR 207	58041400	20K Ω (B) 15KHz
C 206	58040500	0.47 μ F/50V E.L
C 213	58040600	250PF/50V P.C

2-2.

MEP 1243 EQUALIZER (R) VOLUME BOARD (Stock No. 58041600)

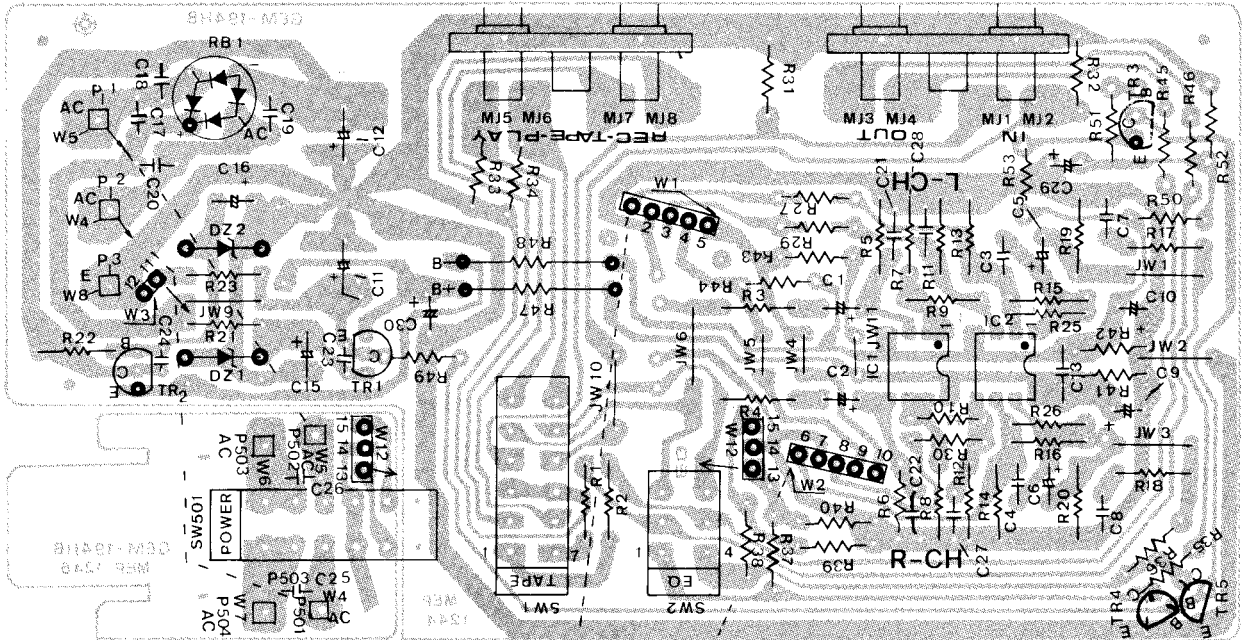
Component Side



Parts No.	Stock No.	Description
IC		
IC 7	58040900	LA6458D
	or 46580100	or M5218P
IC 8	58040900	LA6458D
	or 46580100	or M5218P
IC 9	58040900	LA6458D
	or 46580100	or M5218P
VR 301	58041400	20K Ω (B) VR 60Hz
VR 302	58041400	20K Ω (B) VR 150Hz
VR 303	58041400	20K Ω (B) VR 400Hz
VR 304	58041400	20K Ω (B) VR 1KHz
VR 305	58041400	20K Ω (B) VR 2.4KHz
VR 306	58041400	20K Ω (B) VR 6.3KHz
VR 307	58041400	20K Ω (B) VR 15KHz
C 306	58040500	0.47 μ F/50V E.L
C 313	58040600	250PF/50V P.C

2-3.
MEP 1244 MAIN CIRCUIT BOARD (Stock No. 58041700)

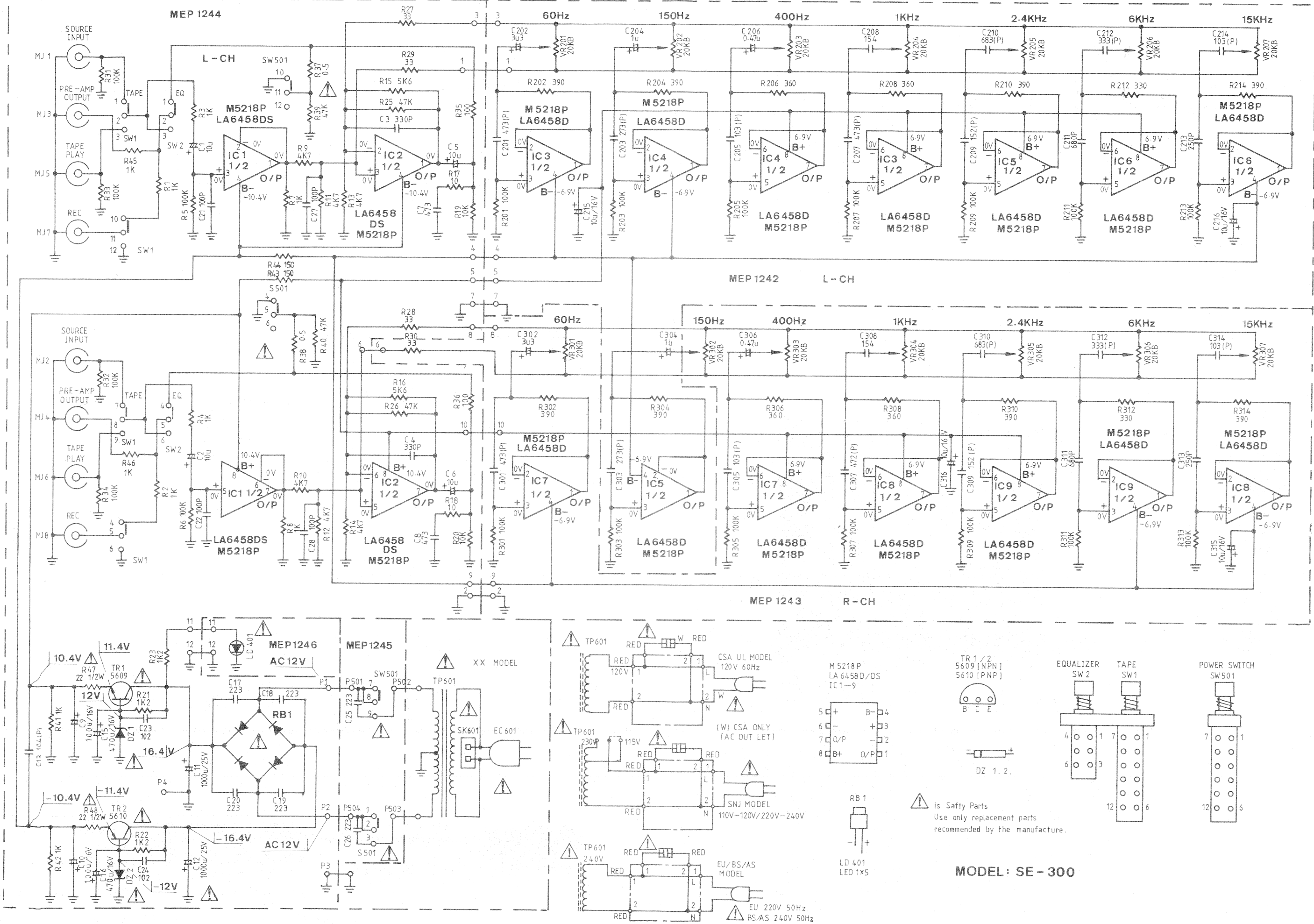
Component Side



Parts No.	Stock No.	Description
IC 1	58040800	LA6458DS
	or 46673800	or M5218P
IC 2	58040800	LA6458DS
	or 46673800	or M5218P
Zener Diode		
△ DZ 1	58040700	05Z12
△ DZ 2	58040700	05Z12
Rectifier		
△ RB 1	58041000	Bridge Diode
Transistor		
△ TR 1	58041200	5609 (PNP)
△ TR 2	58041300	5610 (NPN)
Switch		
△ SW 501	58041800	STAND BY POWER SWITCH
SW 1.2	58041900	ON/OFF SWITCH
MJ 1-8	58042000	4P TERMINAL
△ C 11	08402900	1000μF/25V EC
△ C 12	08402900	1000μF/25V EC
R 37	58041100	0.5 Ω ¼W
R 38	58041100	0.5 Ω ¼W
R 41	00178500	1K Ω ¼W
R 42	00178500	1K Ω ¼W

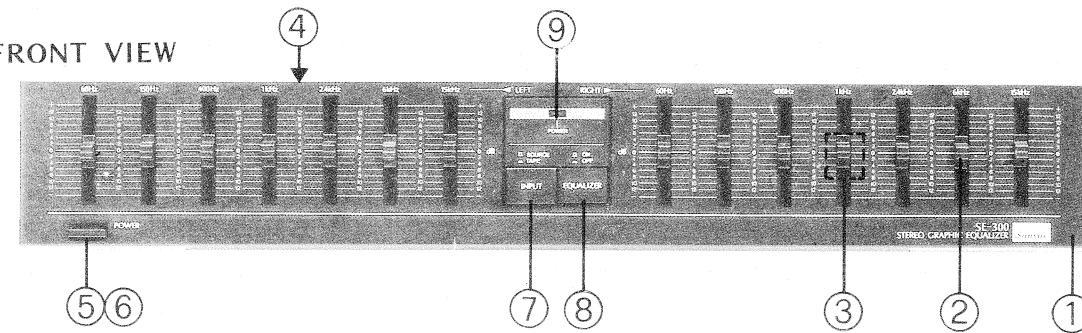
3. SCHEMATIC DIAGRAM

SE-300 SE-300



4. OTHER PARTS

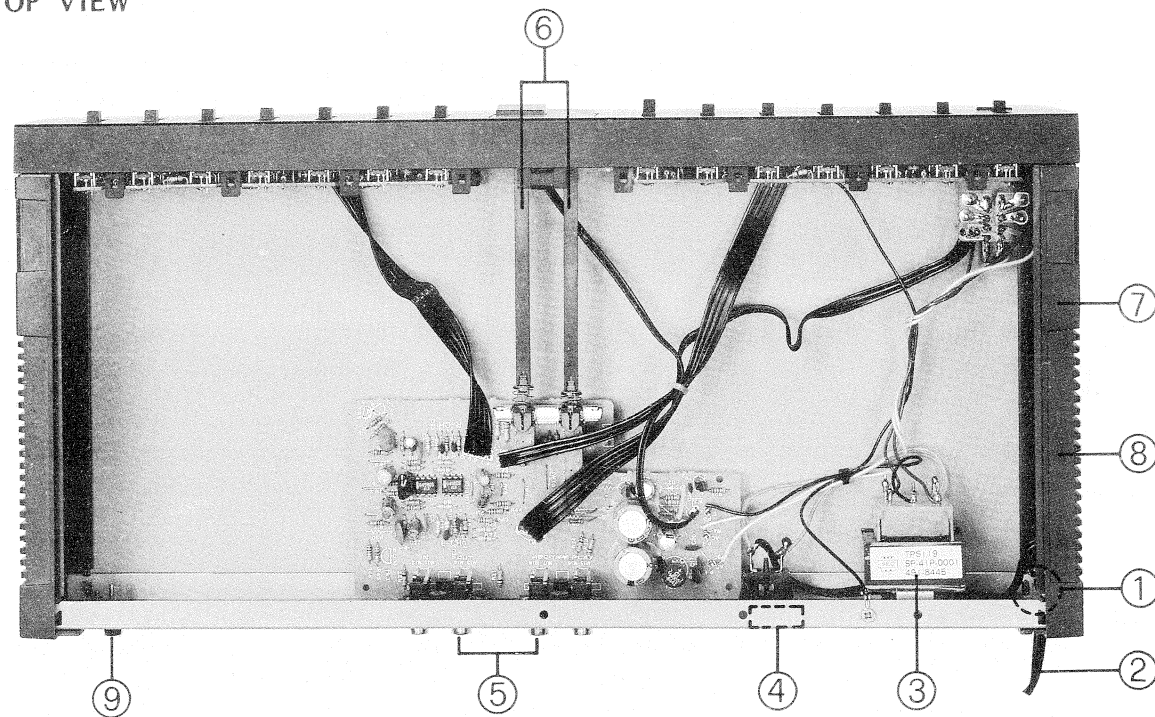
4-1. FRONT VIEW



Parts List

Parts No.	Stock No.	Description	Parts No.	Stock No.	Description
1.	58042200	FRONT PANEL	6.	58041800	PUSH SW. POWER
2.	58042400	SLIDE KNOB	7.	58042300	PUSH KNOB INPUT
3.	58043200	HIMELON	8.	58042300	PUSH KNOB EQUALIZER
4.	07952400	BONNET	9.	46603700	POWER INDICATOR
5.	58042500	POWER KNOB			

4-2. TOP VIEW



Parts List

Parts No.	Stock No.	Description	Parts No.	Stock No.	Description
1.	58043100	AC CORD COVER	△ 4.	58042700	AC OUTLET (XX, UL)
△ 2.	38004700	POWER SUPPLY CORD (UL)	△	58042800	AC OUTLET (EU)
△	38005400	POWER SUPPLY CORD (XX)	△	58042900	AC OUTLET (BS)
△	38004300	POWER SUPPLY CORD (BS)	△	58043000	AC OUTLET (AS)
△	07204200	POWER SUPPLY CORD (AS)	△	58048800	AC OUTLET (CSA)
△	58048700	POWER SUPPLY CORD (CSA)	5.	58042000	4P TERMINAL
△	38004500	POWER SUPPLY CORD (EU)	6.	58043300	BRACKET
△ 3.	58042102	POWER TRANSFORMER (UL/CSA)	7.	47872900	SIDE PANEL (L)
△	58042101	POWER TRANSFORMER (XX)	8.	47873100	SIDE PANEL (R)
△	58042105	POWER TRANSFORMER (EU BS/AS)	9.	58042600	GND TERMINAL

5. PACKING LIST

Parts List

Parts No.	Stock No.	Description
1	47852000	Poly Bag for Set
2	07965300	Styrofoam Packing
3	58043500	Carton Case

6. ACCESSORY LIST

Stock No.	Description
58043400	Operating Instruction
38103200	RCA Phone Wine Jack



SANSUI ELECTRIC CO., LTD.:
SANSUI ELECTRONICS CORPORATION:
SANSUI ELECTRONICS (U.K.) LTD.:
SANSUI ELECTRONICS G.M.B.H.:

14-1, Izumi 2-chome, Suginami-ku, Tokyo Japan
PHONE: (03) 324-8891/TELEX: 232-2076 (International Division)
1250 Valley Brook Ave. Lyndhurst, N.J. 07071 U.S.A.
17150 South Margay Ave. Carson, California 90746 U.S.A.
3036 Koapaka Street, Honolulu, Hawaii 96819 U.S.A.
Unit 10A, Lyon Industrial Estate, Rockware Avenue, Geenford, Middx UB6, OAA, England
Pau Ehrich Strasse 8, 6074 Rödermark 2, West Germany